

ADDENDUM NO. 2
SEWER SYSTEM IMPROVEMENTS
CONTRACT 15-01
CARTER'S CREEK SEWAGE PUMPING STATION RENOVATION
COLUMBIA, TENNESSEE
JRWCO JOB NO. 2039

Date of Addendum: Tuesday, December 15, 2015
Bid Opening: Thursday, December 17, 2015, 2:00 P.M. Local Time

1. Detailed Specifications, Section 4, Piping, Valves, Building Construction, and Site Work, Paragraph 6. Painting, Subparagraph e. Painting Cast or Ductile Iron Piping, Page DS 4-9:

Revise this subparagraph to read as follows:

"e. Painting Cast or Ductile Iron Piping

All existing and new ductile iron piping systems shall be painted including valves and fittings. The pipe shall be **surface prepped** to standard 500-03-04 of the National Association of Pipe Fabricators (NAPF) and receive two coats of Series 66 Epoxyline 66, 4 to 6 mils DFT each coat."

2. Detailed Specifications, Section 4, Piping, Valves, Building Construction, and Site Work, Paragraph 6. Painting, Page DS 4-10:

Add the following subparagraphs:

"i. Watertight Door – Corrosive Area (Wetwell Door only)

The existing watertight door, frame, and operating bolts shall be sandblasted to standard SSPC SP5 blast, then receive two coats of Perma-Glaze Series 435 at 20 mils DFT each coat (40 mil total).

j. Interior Concrete Walls

The concrete masonry unit wall surface shall be clean and dry, and shall receive one finish coat of Series 66 Hi-Build Epoxoline (4.0 to 6.0 mils DFT).

3. Detailed Specifications, Sub-Section 5A. Submersible Type Wastewater Pumps, Paragraph 6. Equipment and Materials, Page DS 5A-4:

Add the following subparagraph:

“(7) Motor Cooling System

The dry pit submersible pumping units shall be self-contained and capable of operating continuously at full load either submerged or non-submerged.

Each motor shall be air filled and provided with an adequately designed cooling system that utilizes either a portion of the liquid being pumped or an internal closed loop cooling system to cool the motor. The water jacket shall encircle the stator housing; thus, providing heat dissipation for the motor regardless of the type of installation. Impeller back vanes shall provide the necessary circulation of cooling liquid through the water jacket. The cooling media channels and ports shall be non-cogging by virtue of their dimensions. Provisions for external flushing shall also be provided. The cooling system shall provide for continuous non-submerged pump operation with a liquid temperature of up to 104°F.”

4. Detailed Specifications, Sub-Section 5A. Submersible Type Wastewater Pumps, Paragraph 7. Field Tests, Adjustments and Start-Up, Page DS 5A-7:

Modify this paragraph as shown:

“1. Field Tests, Adjustments and Start-Up

- a. The After completion of the installation, the equipment shall be inspected and certified by an authorized **factory** representative of the Manufacturer as being in compliance with the Manufacturer’s recommendations and requirements. At such time as the Manufacturer has deemed the installation to be acceptable, the Manufacturer’s authorized **factory** representative shall make any required adjustments and shall start the equipment to assure proper operation.
- b. The Manufacturer’s authorized **factory** representative shall provide instruction to the plant personnel as to the operation and maintenance of the equipment including startup, shut down, on-line operations, lubrication and preventative maintenance.
- c. The Contractor shall include in his bid, the cost of the above referenced authorized **factory** representative for a minimum of one (1) eight hour day onsite to complete the certifications and training described in this specification section.
- d. ***Local sales representatives do not qualify as authorized factory representatives.”***

5. Detailed Specifications, Sub-Section 5A. Submersible Type Wastewater Pumps, Paragraph 8. Warranty, Page 5A-7:

Modify this paragraph as shown:

"8. Warranty

The Manufacturer of the equipment supplied under this specification shall provide a warranty for a period of **36** months commencing on final acceptance by the Engineer. The Manufacturer shall guarantee that the equipment furnished is suitable for the purpose intended and free from defects in design, materials and workmanship. In the event that the equipment fails to perform as specified the Manufacturer shall, at his option, promptly repair, modify or replace the defective equipment. ***The warranty shall be not prorated and shall include all costs of repairing defective units including shipping (both ways), labor, parts, testing, supervision and any other cost required to correct deficiencies and return a fully operable unit to the project site. The Owner shall remove and install the pumping unit(s) with warranty claim(s). The warranty shall be 100 percent replacement.***

6. Plans, Sheet 2:

Modify as shown on the attached 8 ½" x 11" sheet.

7. Plans, Sheet 3:

Delete the errant pipe drawing in Section D-3 in the control room.

8. Plans, Sheet 4:

Modify as shown on the attached 8 ½" x 11" sheet.

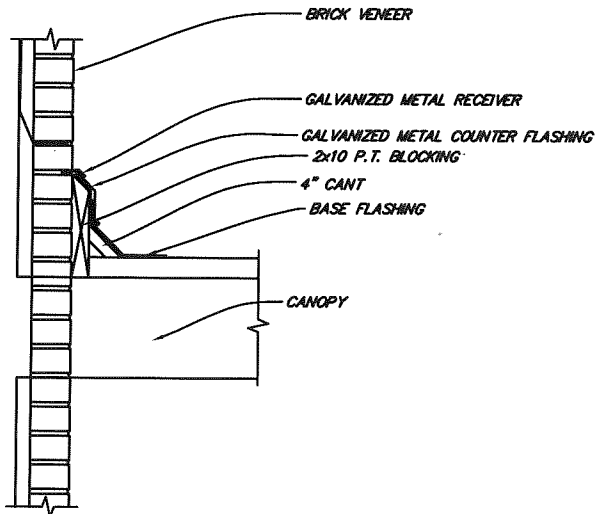
J. R. WAUFORD & COMPANY,
CONSULTING ENGINEERS, INC.



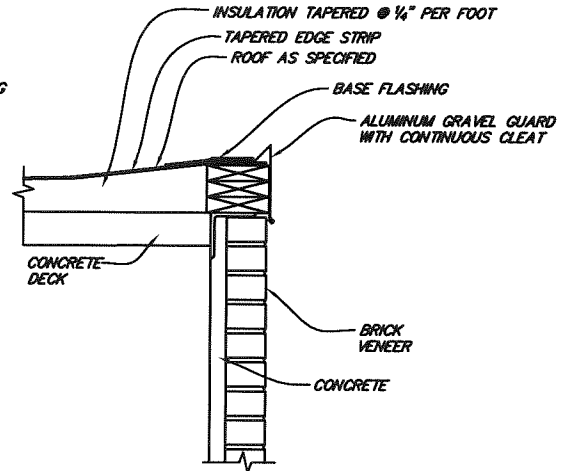
J. Gregory Davenport, P.E.
Tennessee License No. 104881

△ 7. THE CONTRACTOR SHALL REMOVE ALL EXISTING INSULATION FROM PIPING AND DUCT WORK AND REMOVE ALL RESIDUE.

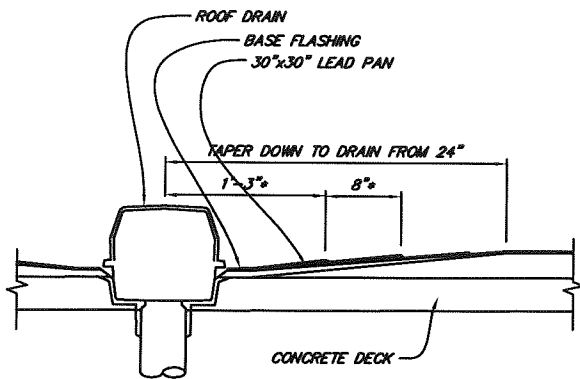
SHEET 2 OF 4		SEWER SYSTEM IMPROVEMENTS CONTRACT 15-01 CARTERS CREEK SEWAGE PUMPING STATION RENOVATION	
REVISIONS		DEMOLITION PLAN & SECTIONS, AND PROPOSED PLANS	
△ ADDENDUM NO. 2 12/15/2015 WZM		FOR COLUMBIA, TENNESSEE	
APPROVED	SCALE	J. R. WAUFORD & CO. CONSULTING ENGINEERS, INC. NASHVILLE, TENNESSEE JOB NO. 2039	DESIGNED
_____	AS SHOWN		WSD
_____	DATE		DRAWN
	NOV. 2015		CHECKED
			WSD



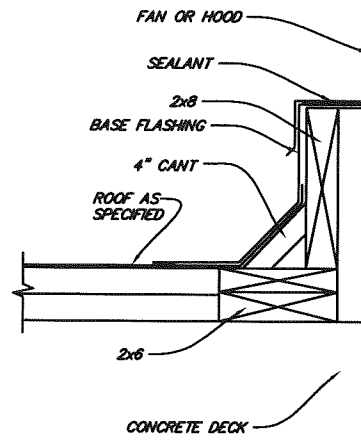
FLASHING DETAIL @ CANOPY



GRAVEL GUARD DETAIL




ROOF DRAIN DETAIL



ROOF FLASHING DETAIL

1 ROOFING DETAILS
 NO SCALE

SHEET 4 OF 4		SEWER SYSTEM IMPROVEMENTS CONTRACT 15-01 CARTERS CREEK SEWAGE PUMPING STATION RENOVATION	
REVISIONS		PROPOSED ROOF PLAN, SECTION AND DETAILS	
 ADDENDUM NO. 2 12/15/2015 WZM		FOR COLUMBIA, TENNESSEE	
APPROVED	SCALE AS SHOWN	J. R. WAUFORD & CO. CONSULTING ENGINEERS, INC. NASHVILLE, TENNESSEE JOB NO. 2039	DESIGNED WSD
_____	DATE NOV. 2015		DRAWN WAD
_____			CHECKED WSD